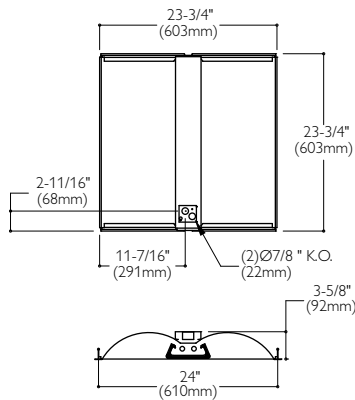
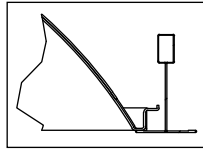


Alter Concept **GS Lens**

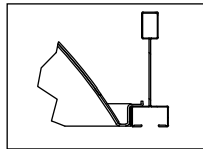
2' x 2' Direct/Indirect Recessed Fluorescent



Ceiling compatibility for G type luminaires



Suited to standard exposed 15/16" T-grid ceilings



Suited to standard exposed Slot T-grid ceilings



Ordering information

QCE	2	G	GS	OP	2				
Family	Luminaire Width	Ceiling Type	Lamp Shield	Lamp Shield Details	Lamp Quantity	Lamp	Voltage	Ballast	Options
QCE = Alter Concept	2 = 2'	G = Fits standard 15/16" T-grid or Slot T-grid ceilings	GS = Frosted acrylic side lenses, micro-prismatic center lens	OP = One piece (no center slot) lamp shield	2 = 2 lamps	14 = T5 14W 24 = T5HO 24W	UNV = Universal voltage 347 = 347V	PG = Elect. P.R.S. T5/ T5HO, 1 or 2 LPB, <10% THD	

Features

- Up to 83.9% efficient
- Shallow design, only 3-5/8" deep – ideal for restricted plenums
- Post-painted with 95% reflective Alter soft white paint
- Seamless welded form: curved top and side reflectors are formed together without any gaps or visual barriers
- One piece body for easy installation
- Elegant lens design with frost side lenses and microprism bottom lens. Optical film on inside of lens diffuses lamp image providing a balance between performance and visual comfort.
- Swing down lens assembly for easy and tool less access to lamp compartment facilitating relamping and maintenance
- Fully recessed luminaire and lamp compartment
- Fits standard 15/16" T-Grid, Slot T-Grid or drywall ceilings

Specifications

Materials: One piece chassis constructed from die formed 20 gauge cold rolled steel.

Finish: Baked white acrylic matte high reflectance paint finish.

Lens: Aluminum frame with frosted acrylic side lenses and micro-prism bottom lens.

Electrical: Thermally protected class "P" ballast. If K.O.s are within 3" of ballast, use wire suitable for at least 90°C. Suitable for damp location.

Labels: cCSAus

[Options/Accessories](#)

Electrical wiring options: Consult factory

Drywall Kit: Order Catalogue Number: **FK92X2**.

Hold Down Clips: Order Catalogue Number: **QVS-HD**.

Emergency Lighting System: Consult factory.

Job Information

Type:

Job Name:

Cat. No.:

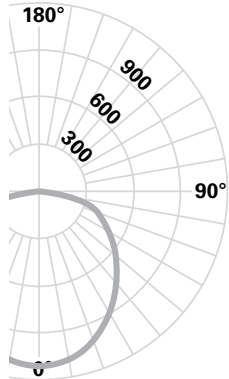
Notes:

Alter Concept **GS Lens**

2' x 2' Direct/Indirect Recessed Fluorescent

Performance

CANDLEPOWER CURVE 224



CANDLEPOWER

ZONE DEG	CANDLEPOWER				
	ALONG	22.5	45	67.5	ACROSS
0	1113	1113	1113	1113	1113
5	1104	1105	1108	1108	1109
10	1082	1084	1089	1092	1093
15	1044	1047	1052	1055	1056
20	991	995	1001	1007	1009
25	926	931	941	949	954
30	853	859	873	886	892
35	774	783	801	821	829
40	694	705	731	755	763
45	614	626	660	687	697
50	535	551	589	624	637
55	456	475	519	561	576
60	380	403	453	501	517
65	304	330	387	439	457
70	232	261	321	378	397
75	165	194	252	311	329
80	101	126	171	209	213
85	46	56	60	61	60
90	0	0	0	0	0

REPORT NO: C11158
 CAT. NO: QCE2GGSOP224UNVPG
 2 24W T5HO Fluorescent Lamps at 1800 lumens.
 Efficiency: 83.9%
 Candela at Nadir: 1113cd

COEFFICIENTS OF UTILIZATION

ZONAL CAVITY METHOD * EFFECTIVE FLOOR CAVITY REFLECTANCE = .20

Room Cavity Ratio	Wall Reflectance										
	80				70				50		
	70	50	30	10	70	50	30	10	50	30	10
0	1.00	1.00	1.00	1.00	.98	.98	.98	.98	.93	.93	.93
1	.92	.88	.84	.81	.89	.86	.83	.80	.82	.79	.77
2	.83	.77	.71	.66	.81	.75	.70	.66	.72	.68	.64
3	.76	.68	.61	.56	.74	.66	.60	.55	.64	.59	.54
4	.70	.60	.53	.47	.68	.59	.53	.47	.57	.51	.47
5	.64	.53	.46	.40	.62	.52	.45	.40	.50	.44	.40
6	.59	.48	.40	.35	.57	.47	.40	.35	.45	.39	.34
7	.54	.43	.36	.31	.53	.42	.35	.30	.41	.35	.30
8	.50	.39	.32	.27	.49	.38	.31	.26	.37	.31	.26
9	.46	.35	.28	.23	.45	.34	.28	.23	.33	.27	.23
10	.43	.32	.25	.20	.42	.31	.25	.20	.30	.24	.20

DETERMINED IN ACCORDANCE WITH CURRENT IES PUBLISHED PROCEDURES
 LUMINAIRE INPUT WATTS = 52.8

DISTRIBUTION

ZONE	LUMENS	% LAMP	%LUMINAIRE
0-30	834	23.17	27.62
0-40	1335	37.08	44.20
0-60	2305	64.02	76.32
0-90	3020	83.89	100.00
40-90	1685	46.81	55.80
60-90	715	19.87	23.68
90-180	0	0.00	0.00
0-180	3020	83.89	100.00



Canlyte
 3015 Louis-Amos, Lachine, Québec H8T 1C4
 e: canlyte-info@philips.com
 t: (514) 636-0670
 w: www.canlyte.com
 GS 2x2 February 2, 2012.
 Specifications are subject to change without notice.
 © Koninklijke Philips Electronics N.V., 2011. All rights reserved.

Job Information

Type:

PHILIPS
LIGHTOLIER®